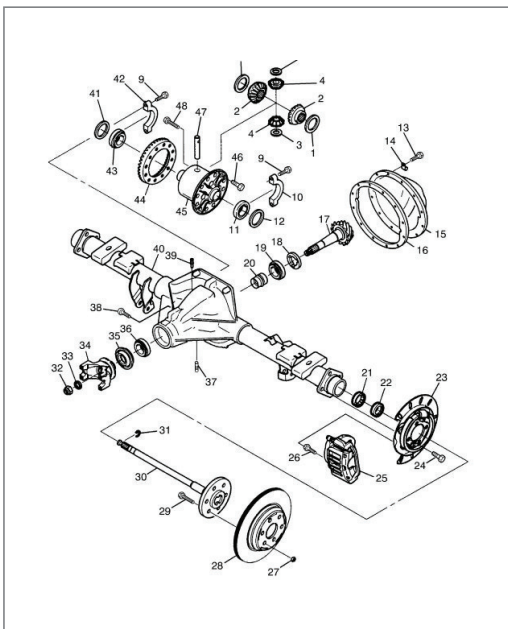


USE REPAIRLINK TO ORDER YOUR OEM PARTS.

RepairLink is an electronic ordering solution that gives repair shops access to our pricing and inventory availability. We've signed up so you can order parts from us, online, at no additional cost. Not only can you access our dealership's inventory; you can also access illustrations of 23 OEMs, making RepairLinkShop.com a valuable resource for your shop.

Add parts to your cart and send orders directly to our dealership.



View parts illustrations online, 24/7, at RepairLinkShop.com, attach the illustration to your order and add your own notes to ensure order accuracy.

Part Search > Year Make Model (VIN Number Here) VIN attributes

Dealer: Joe's Auto Preferred dealer (555) 555-5555

Parts in cart: **1** Your Cart total: 605.63

PO # John Doe Save cart Open cart **ORDER**

Part categories: Air/Fuel/Exhaust/Emissions, Body/Frame, Brake/Wheel/Tire, Anti-Lock Brake, Brake Pedal, Brake Vacuum/Booster, Front Brake, Hydraulics/Master Cylinder, Parking Brake, Rear Brake, **Switches/Modules/Controls/Sensors/Relays**, Wheel/Tire/Spare Wheel, Drivetrain/Axle, Electrical/Lighting, Engine, Engine Electrical, HVAC

Keyword: Search Illustration view List view Split view

Search in: All part categories Current part category

AIRBAG, INSTRUMENT PANEL Illustrations OEM Usage: 20,2H,2K69	List price: \$750.00 Available: Cal	Price: \$605.63 Qty req: 1 Add to cart		
BOLT, ELECTRONIC BRAKE & TRACTION CONT MODULE Illustrations OEM Usage: (ECU TO HCU ATTACH) (MAXX 7X19.5,107HD); 2	List price: \$6.26 Available: Cal	Price: \$5.05 Qty req: 1 Add to cart		
BOLT, PARKING BRAKE IND SWITCH Illustrations OEM Usage: (HWH, M4.2 X 1.41 X 24, 8.8 CD, 601DM, 2P-4342M CODE 300) ; 2	List price: \$4.11 Available: Cal	Price: \$3.32 Qty req: 1 Add to cart		

Search by VIN or make/model/year and access our dealership's pricing and availability.

From Specification Through Ordering, RepairLink Makes It Easy to Get OEM Parts.

To register visit RepairLinkShop.com or call 866.401.4610 for more information